



# GL7605 and GL7611

## Product Technical Specification



**SIERRA**  
WIRELESS®

41114368  
Rev. 1.0

## Important Notice

Due to the nature of wireless communications, transmission and reception of data can never be guaranteed. Data may be delayed, corrupted (i.e., have errors) or be totally lost. Although significant delays or losses of data are rare when wireless devices such as the Sierra Wireless product are used in a normal manner with a well-constructed network, the Sierra Wireless product should not be used in situations where failure to transmit or receive data could result in damage of any kind to the user or any other party, including but not limited to personal injury, death, or loss of property. Sierra Wireless accepts no responsibility for damages of any kind resulting from delays or errors in data transmitted or received using the Sierra Wireless product, or for failure of the Sierra Wireless product to transmit or receive such data.

## Safety and Hazards

Do not operate the Sierra Wireless product in areas where blasting is in progress, where explosive atmospheres may be present, near medical equipment, near life support equipment, or any equipment which may be susceptible to any form of radio interference. In such areas, the Sierra Wireless product **MUST BE POWERED OFF**. The Sierra Wireless product can transmit signals that could interfere with this equipment.

Do not operate the Sierra Wireless product in any aircraft, whether the aircraft is on the ground or in flight. In aircraft, the Sierra Wireless product **MUST BE POWERED OFF**. When operating, the Sierra Wireless product can transmit signals that could interfere with various onboard systems.

---

*Note: Some airlines may permit the use of cellular phones while the aircraft is on the ground and the door is open. Sierra Wireless products may be used at this time.*

---

The driver or operator of any vehicle should not operate the Sierra Wireless product while in control of a vehicle. Doing so will detract from the driver or operator's control and operation of that vehicle. In some states and provinces, operating such communications devices while in control of a vehicle is an offence.

## Limitation of Liability

The information in this manual is subject to change without notice and does not represent a commitment on the part of Sierra Wireless. SIERRA WIRELESS AND ITS AFFILIATES SPECIFICALLY DISCLAIM LIABILITY FOR ANY AND ALL DIRECT, INDIRECT, SPECIAL, GENERAL, INCIDENTAL, CONSEQUENTIAL, PUNITIVE OR EXEMPLARY DAMAGES INCLUDING, BUT NOT LIMITED TO, LOSS OF PROFITS OR REVENUE OR ANTICIPATED PROFITS OR REVENUE ARISING OUT OF THE USE OR INABILITY TO USE ANY SIERRA WIRELESS PRODUCT, EVEN IF SIERRA WIRELESS AND/OR ITS AFFILIATES HAS BEEN ADVISED OF THE POSSIBILITY OF SUCH DAMAGES OR THEY ARE FORESEEABLE OR FOR CLAIMS BY ANY THIRD PARTY.

Notwithstanding the foregoing, in no event shall Sierra Wireless and/or its affiliates aggregate liability arising under or in connection with the Sierra Wireless product, regardless of the number of events, occurrences, or claims giving rise to liability, be in excess of the price paid by the purchaser for the Sierra Wireless product.

## Patents

This product may contain technology developed by or for Sierra Wireless Inc. This product includes technology licensed from QUALCOMM®. This product is manufactured or sold by Sierra Wireless Inc. or its affiliates under one or more patents licensed from MMP Portfolio Licensing.

**Copyright** © 2022 Sierra Wireless. All rights reserved.

**Trademarks** Sierra Wireless®, AirPrime®, AirLink®, AirVantage® and the Sierra Wireless logo are registered trademarks of Sierra Wireless.

Windows® and Windows Vista® are registered trademarks of Microsoft Corporation.

Macintosh® and Mac OS X® are registered trademarks of Apple Inc., registered in the U.S. and other countries.

QUALCOMM® is a registered trademark of QUALCOMM Incorporated. Used under license.

Other trademarks are the property of their respective owners.

**Contact Information**

Sales information and technical support, including warranty and returns	Web: <a href="http://sierrawireless.com/company/contact-us/">sierrawireless.com/company/contact-us/</a> Global toll-free number: 1-877-687-7795 6:00 am to 5:00 pm PST
Corporate and product information	Web: <a href="http://sierrawireless.com">sierrawireless.com</a>

**Revision History**

Revision number	Release date	Changes
1.0	January 14, 2022	Creation

# >> Contents

<b>Overview</b>	<b>7</b>
General Information	8
Physical Dimensions	8
Interfaces	9
Connections Interfaces	9
Environmental Compliance	9
Functional Architecture	10
RF Functionalities	11
Mechanical Specifications	12
Mechanical Drawing	12
Product Color	13
<b>Interfaces / Peripherals</b>	<b>14</b>
Front Interface	14
SIM Interface	15
Power LED	15
Back Interface	16
8-pin Micro-Fit Connector	16
RF Interface	22
<b>Using the GL7605 / GL7611</b>	<b>25</b>
Getting Started	25
Inserting the SIM Card	27
Extracting the SIM Card	29
Operational Status	31
<b>Communicating with the GL7605 / GL7611</b>	<b>32</b>
Communications Testing	32
Checking the PIN Code Status	32
Verifying the Receive Strength Signal	33
Verifying the Network Registration	33
Main AT Commands for the GL7605 / GL7611	34

Echo Function .....	35
<b>Troubleshooting .....</b>	<b>36</b>
No Communications through the Serial Link .....	36
Receiving an “ERROR” Message .....	37
Receiving a “NO CARRIER” Message .....	37
Resetting the Modem .....	39
<b>Power Consumption .....</b>	<b>40</b>
Consumption Measurement Procedure .....	40
Hardware Configuration .....	40
Software Configuration .....	41
Operating Modes .....	42
Serial Port Shutdown Mode .....	42
Power Consumption Values .....	43
<b>Reliability Specification .....</b>	<b>45</b>
Functional / Performance Tests .....	45
Aging Tests .....	45
High Temperature Operating Life Test .....	45
Humidity Test .....	45
Thermal Shock Test .....	45
Characterization Tests .....	46
Electrostatic Discharge Test .....	46
Low Temperature Cold Start Test .....	46
Mechanical Shock Test .....	46
Unprotected Free Fall Drop Test .....	46
<b>Certification Compliance, Recommended Standards, and Accessories .....</b>	<b>47</b>
Compliance .....	47
Mating Connector .....	48
Mechanical Constraints .....	49
Micro-Fit Connector .....	49

Protections . . . . .	50
Power Supply . . . . .	50
Electrostatic Discharge . . . . .	50
Miscellaneous . . . . .	50
Upgrade Guidelines . . . . .	51
Operating System Upgrade . . . . .	51
Firmware Upgrade . . . . .	51
<b>Appendix . . . . .</b>	<b>53</b>
List of References . . . . .	53
List of Abbreviations . . . . .	54
Safety Recommendations (for information only) . . . . .	57
RF Safety . . . . .	57
General Safety . . . . .	58
Driving . . . . .	58
Electronic Devices . . . . .	58
Vehicle Electronic Equipment . . . . .	58
Medical Electronic Equipment . . . . .	58
Aircraft . . . . .	59
Children . . . . .	59
Blasting Areas . . . . .	59
Potentially Explosive Atmospheres . . . . .	59
Packaging . . . . .	60
Product Labeling . . . . .	60
Model Label . . . . .	60
SN and IMEI Label . . . . .	60

# >> 1: Overview

The GL7605 / GL7611 is a wireless modem that allows users to connect to a wireless network. It offers data connectivity on Cat 4 LTE networks and was designed using the WP7605(GL7605) and WP7611(GL7611) embedded module.

The following section provides information about the physical attributes and briefly summarizes the modem's features, interfaces and connectors.

## General Information

### Physical Dimensions



Figure 1-1: GL7605/GL7611 Modem

The modem has a complete box casing with the following properties:

**Table 1-1: Box Casing Properties**

Dimension	Value	Condition
Length	67 mm	Casing only
	72.8 mm	Casing with SMA connector
Width	51.5 mm	-
Thickness	23.5 mm	-
Weight	41 g	



## Interfaces

- 1V8 SIM interface
- RF interface
- Serial link (RS232) interface
- Power supply DC input from 4.75V to 32V
- Power LED indicator

## Connections Interfaces

- One SIM connector
- SMA type RF connector
- One 8-pin Micro-Fit connector for serial link (RS232) and power supply

## Environmental Compliance

### Environmental Specifications

The modem is compliant with the following operating classes. The table below lists the ideal temperature range of the environment.

**Table 1-2: Operating Class Temperature Range**

Conditions	Temperature Range
Operating/Class A	-20 °C to +55°C
Operating/Class B	-30 °C to +75°C
Storage	-40 °C to +80°C

Class A is defined as the operating temperature ranges that the device:

- Shall exhibit normal function during and after environmental exposure.
- Shall meet the minimum requirements of 3GPP or appropriate wireless standards.

Class B is defined as the operating temperature ranges that the device:

- Shall remain fully functional during and after environmental exposure
- Shall exhibit the ability to establish an SMS or DATA call (emergency call) at all times even when one or more environmental constraint exceeds the specified tolerance.
- Unless otherwise stated, full performance should return to normal after the excessive constraint(s) have been removed.

### RoHS Compliance

GL76xx modems are compliant with RoHS Directive 2011/65/EU, including directive 2015/863 amending annex II, which sets limits for the use of certain restricted hazardous substances. This directive states that electrical and electronic equipment put on the market does not contain lead, mercury, cadmium, hexavalent chromium, polybrominated biphenyls (PBB), polybrominated diphenyl ethers (PBDE), Bis (2-ethylhexyl) phthalate (DEHP), Butyl benzyl phthalate (BBP), Dibutyl phthalate (DBP) or Diisobutyl phthalate (DIBP) above threshold limits.

## Disposing of the Product

This electronic product is subject to the EU Directive 2012/19/EU for Waste Electrical and Electronic Equipment (WEEE). As such, this product must not be disposed of at a municipal waste collection point. Please refer to local regulations for directions on how to dispose of this product in an environmentally friendly manner.



## Functional Architecture

The global architecture is shown in the figure below.

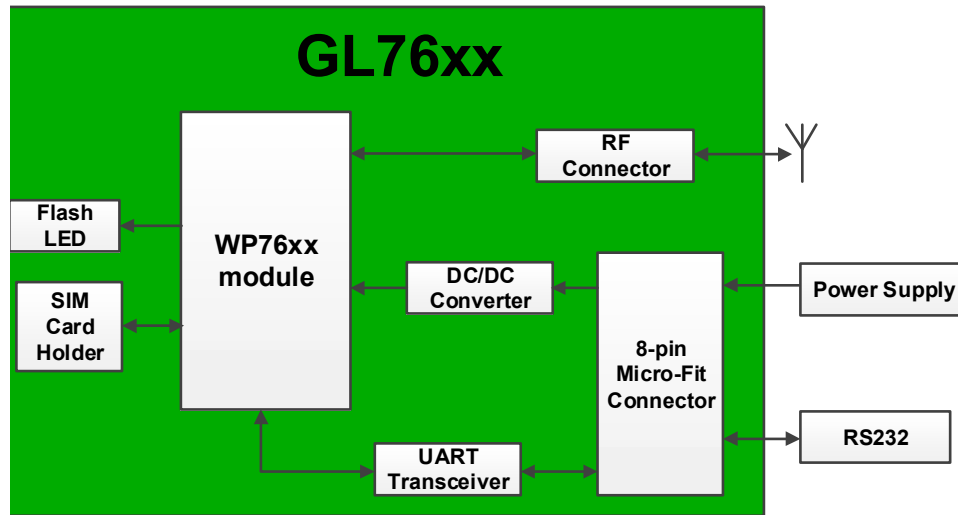


Figure 1-2: Functional Architecture

## RF Functionalities

The Radio Frequency (RF) range complies with the 3GPP requirements. The corresponding frequency recommendations for both transmission and reception bands are listed in the table below.

**Table 1-3: GL7605 Supported Bands / Connectivity**

Technology	RF Band	Transmit Band (Tx) (MHz)	Receive Band (Tx) (MHz)
LTE	B1 (FDD)	1920 – 1980	2110 – 2170
	B3 (FDD)	1710 – 1785	1805 – 1880
	B8 (FDD)	880 – 915	925 – 960
	B11 (FDD)	1427.9 – 1447.9	1475.9 – 1495.9
	B18 (FDD)	815 – 830	860 – 875
	B19 (FDD)	830 – 845	875 – 890
	B21 (FDD)	1447.9 – 1462.9	1495.9 – 1510.9

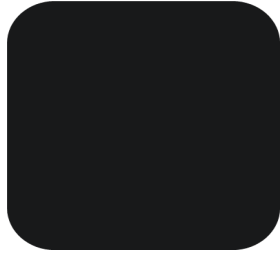
**Table 1-4: GL7611 Supported Bands / Connectivity**

Technology	RF Band	Transmit Band (Tx) (MHz)	Receive Band (Tx) (MHz)
LTE	B2 (FDD)	1850 – 1910	1930 – 1990
	B4 (FDD)	1710 – 1755	2110 – 2155
	B5 (FDD)	824 – 849	869 – 894
	B12 (FDD)	699 – 716	729 – 746
	B13 (FDD)	777 – 787	746 – 756
	B14 (FDD)	788 – 798	758 – 768
	B25 (FDD)	1850 – 1915	1930 – 1995
	B26 (FDD)	814 – 849	859 – 894
	B66 (FDD)	1710 – 1780	2110 – 2200
	B71 (FDD)	663 – 698	617 – 652



## Product Color

The GL7605 / GL7611 comes in:



*Figure 1-3: OSAKI BLACK*

Muncell 10B 1.5 / 0.5

DIC 581B

(PANTONE 426C)

C5% M5% Y0 or 5%K 90%

R24G25B26

HTML: #18191A

## >> 2: Interfaces / Peripherals

This section describes the different connectors, interfaces and peripherals that connect with the modem.

The modem is distributed in the market as a finished product with the following interfaces:

- an 8-pin Micro-Fit Connector
- a Power LED Indicator
- a SIM Connector

The interface signals available from the modem are listed in the following table. For more information about these signals, refer to the corresponding chapters.

**Table 2-1: Available Interface Signals**

Name	Driven by AT Commands
Serial Link (RS232)	Yes
SIM Interface	Yes

### Front Interface



Figure 2-1: Front View

## SIM Interface

The Subscriber Identification Module can be directly inserted in the modem through the SIM door.

The SIM interface controls 1.8V SIM/USIM cards and it is fully compliant with ETSI UICC specification.

The SIM interface is ESD protected. Transient Voltage Suppressor diodes are internally added on the signals connected to the SIM interface to prevent any damage from electrostatic discharge.

The SIM uses five SIM signals, namely:

- SIM-VCC, which is the SIM power supply
- SIM-RST, which is reset
- SIM-CLK, is clock
- SIM-IO, as the I/O port
- SIM-DET, for SIM detection

Refer to the following table for the electrical characteristics of the SIM interface.

**Table 2-2: SIM Interface Electrical Characteristics**

Parameter	Minimum	Typical	Maximum	Remarks
SIM Interface Voltage (V) (VCC, CLK, IO, RST)	-	1.80	-	The appropriate output voltage is auto-detected and selected by software.
SIM-DET	-	1.80	-	High active
SIM-VCC Current (mA)	-	-	50	In sleep mode Max output current = 3mA
SIM-VCC Power-up Setting Time from power down ( $\mu$ s)	-	10	-	

## Power LED

The GL7605/GL7611 has an LED indicator to show the status of power on.

**Table 2-3: LED Status**

Modem State	LED Status	Modem Status
ON	Permanently lit	The modem is powered ON.
OFF	OFF	The modem is switched OFF.

## Back Interface

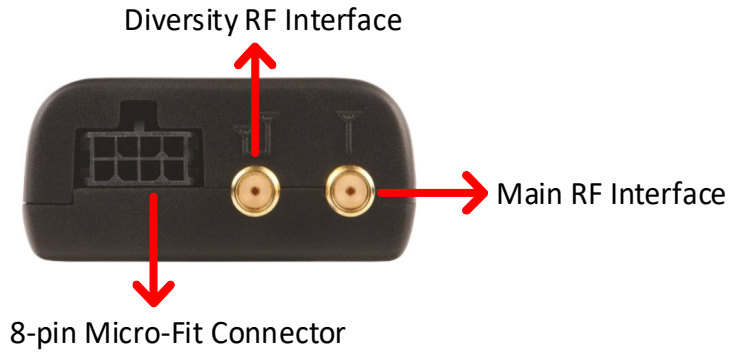


Figure 2-2: Back View

## 8-pin Micro-Fit Connector

The 8-pin Micro-Fit connector is used for the following connections:

- External DC power supply connection with voltage from 4.75V to 32V
- Serial link (RS232) interface

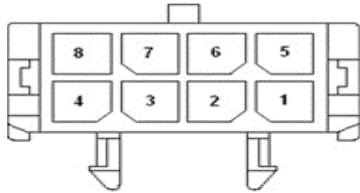


Figure 2-3: Pin Assignment of the 8-pin Micro-Fit Connector

**Table 2-4: Micro-Fit Connector Pin Description**

Pin #	Signal	I/O	I/O Type	Voltage	Description
1	DCIN	I	Power Supply	4.75V to 32V	4.75V to 32V DC input
2	RS232-DTR	I	RS-232	-5.5V to 5.5V	Data Terminal Ready
3	RS232-RXD	O	RS-232	-5.5V to 5.5V	Receive Serial Data
4	RS232-CTS	O	RS-232	-5.5V to 5.5V	Clear To Send
5	RS232-DCD	O	RS-232	-5.5V to 5.5V	Data Carrier Detect
6	GND	-	GND	GND	Ground
7	RS232-TXD	I	RS-232	-5.5V to 5.5V	Transmit Serial Data
8	RS232- RTS	I	RS-232	-5.5V to 5.5V	Request To Send

*Note: Pins 2-5 and Pin 7-8 are used by the serial link interface. It is strictly prohibited to connect them to any power supply at the risk of damaging the GL7605 / GL7611.*



## Power Supply

The modem is supplied by an external DC voltage (DCIN) that ranges from 4.75V to 32V (with a recommended maximum rating of 1A). This input is available on the modem from the 8-pin Micro-Fit connector.

**Table 2-5: Input Power Supply Voltage**

Pin Number	Signal	Description
1	DCIN	4.75V to 32V DC input
6	GND	Ground Connection

*Note: Transient voltage impact on DCIN should be taken into consideration as damages to the modem from improper protection is not covered under warranty. Refer to Power Supply for protection recommendations.*

## Serial Link (RS232)

The modem's serial link, RS232, performs the voltage level adaptation (V24/CMOS) between the internal Plug and Play (DCE) and external applications (DTE).

The RS232 interface is internally protected against electrostatic surges on its lines by ESD protection.

The RS232 interface has the following filtering guarantees:

- EMI/RFI protection on both the input and the output
- Signal smoothing

Signals available on the RS232 serial link are as follows:

- TX data (RS232-TXD)
- RX data (RS232-RXD)
- Request To Send (RS232-RTS)
- Clear To Send (RS232-CTS)
- Data Terminal Ready (RS232-DTR)
- Data Carrier Detect (RS232-DCD)

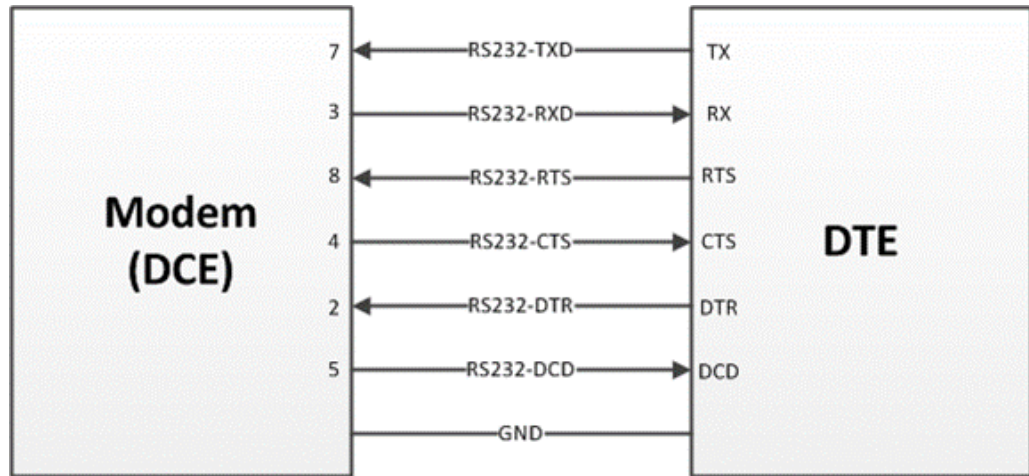


Figure 2-4: RS232 Serial Link Signals

Pin Description The RS232 interface has been designed to allow flexibility in the use of the

**Table 2-6: Serial Link Pin Description from the Micro-Fit Connector (CN201)**

Pin #	Signal <sup>a</sup>	I/O <sup>b</sup>	I/O Type	Reset State	Description
2	RS232-DTR	I	RS-232	Z	Data Terminal Ready
3	RS232-RXD	O	RS-232	1	Receive Serial Data
4	RS232-CTS	O	RS-232	Z	Clear To Send
5	RS232-DCD	O	RS-232	Undefined	Data Carrier Detect
6	GND	-	GND		Ground
7	RS232-TXD	I	RS-232	Z	Transmit Serial Data
8	RS232- RTS	I	RS-232	Z	Request To Send

a. According to PC (DTE) view.

b. According to modem (DCE) view, from which the direction of the signal is defined.

The RS232 interface has been designed to allow flexibility in the use of the serial interface signals. However, the use of TX and RX signals are mandatory; while the use of CTS, RTS, DTR and DCD signals are optional.

*Note: The modem is designed to operate with Hardware Flow Control. It is recommended to use RS232-RTS and RS232-CTS for hardware flow control to avoid data corruption during transmission.*

*The modem also implements the Serial Port Shutdown feature with the DTR signal. It is recommended to use RS232-DTR signal to benefit from the current consumption improvement performed by this feature. For more information about the Serial Port Shutdown, refer to Serial Port Shutdown Mode.*

## 5-wire Serial Interface Hardware Design

The signals used in this interface hardware design are as follows:

- RS232-TXD
- RS232-RXD
- RS232-CTS
- RS232-RTS
- RS232-DTR

---

*Note: The RS232-DTR signal must be managed following the V24 protocol signaling if the Sleep Mode and Serial Port Shutdown feature are to be used.*

---

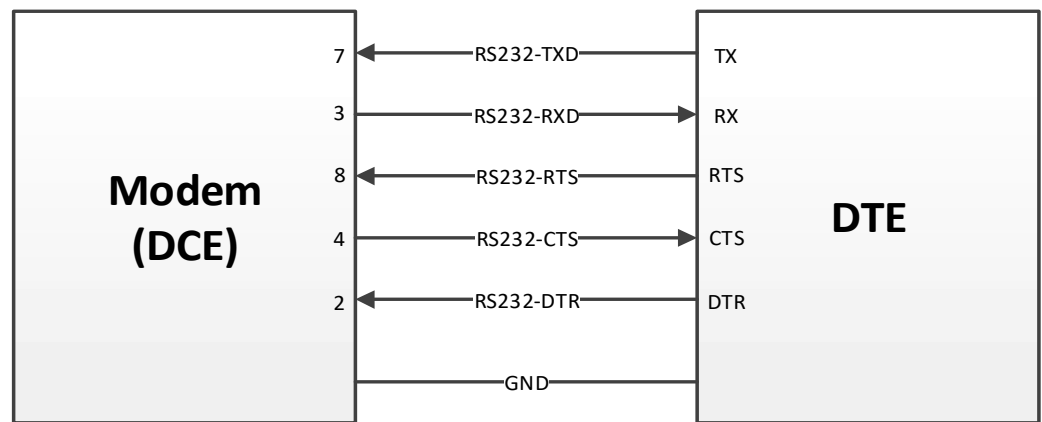


Figure 2-5: 5-wire Serial Link Implementation

### 4-wire Serial Interface Hardware Design

The signals used in this interface hardware design are as follows:

- RS232-TXD
- RS232-RXD
- RS232-CTS
- RS232-RTS

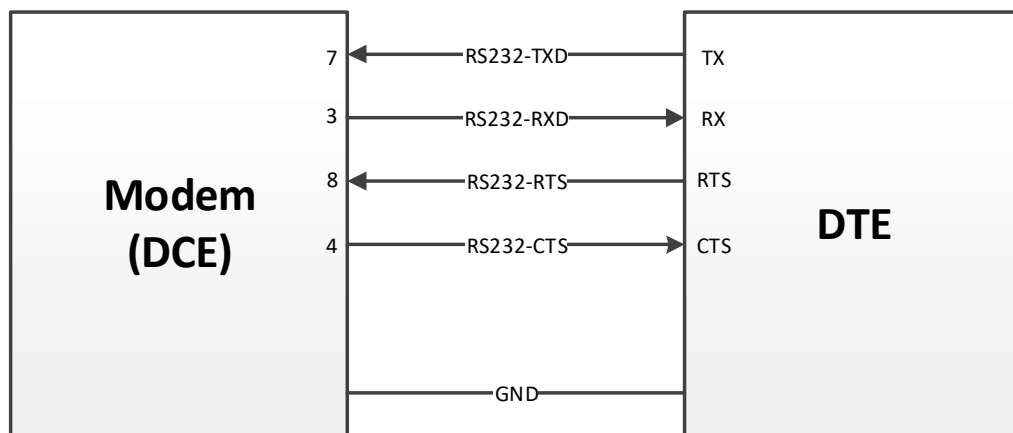


Figure 2-6: 4-wire Serial Link Implementation

## 2-wire Serial Interface Hardware Design

The signals used in this interface hardware design are as follows:

- RS232-TXD
- RS232-RXD

---

*Note: Although this case is possible, it is not recommended. The flow control mechanism must be managed from the customer end.*

---

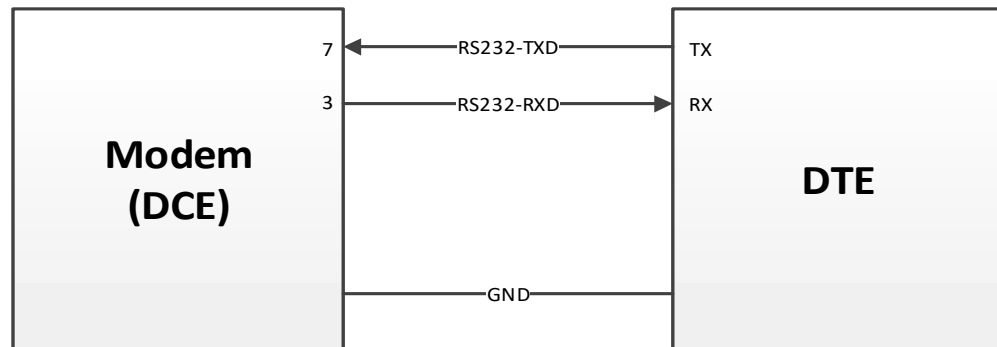


Figure 2-7: 2-wire Serial Link Implementation

The RS232-CTS and RS232-RTS signals are not used in this configuration. Sierra Wireless recommends the use of hardware flow control, but if not needed, the AT commands **AT&K0** and **AT&W0** can be used to disable the flow control function on the embedded module.

---

*Note: A 2-wire serial link implementation is not possible if **AT+KSLEEP=0**.*

---

For more information about AT commands applicable to the GL7605 / GL7611, please refer to the WP76xx AT Command Reference Guide.

## RF Interface

The GL76xx supports two RF connectors for a primary and a diversity antenna. These antenna connectors allow the transmission of radio frequency (RF) signals from the device to an external customer supplied antenna. The connector is an SMA coaxial connector.

The nominal impedance of the antenna interface is 50Ω.

*Note: The diversity antenna connector cannot be used without using the main antenna connector.*

## Maximum Output Power

The maximum transmitter output power of the modem for all bands in normal operation conditions (25°C) is specified in the following table.

**Table 2-7: Maximum Output Power**

Minimum	Typical	Maximum	Units	Notes
21	22	24	dBm	Power class 3

## RF Sensitivity

The modem's receiver sensitivity is specified in the following table. The test condition used for the following values are as follows:

- Cat 4
- BW: 10 MHz

**Table 2-8: GL7605 Conducted Rx Sensitivity — LTE Bands**

LTE Bands		+25°C (dBm)			
		Primary (Typical)	Secondary (Typical)	SIMO (Typical)	SIMO (Worst case)
B1	Full RB BW: 10 MHz	-97	-98.5	-100	-97
B3		-96.5	-99	-100	-94
B8		-99	-99	-100	-94
B11		-96	-99	-99	-97
B18		-98.5	-98	-100	-97
B19		-99	-98	-100	-97
B21		-97.5	-99.5	-100	-97

**Table 2-9: GL7611 Conducted Rx Sensitivity — LTE Bands**

LTE Bands		+25°C (dBm)			
		Primary (Typical)	Secondary (Typical)	SIMO (Typical)	SIMO (Worst case)
B2	Full RB BW: 10 MHz	-97	-97	-99	-95
B4		-97	-96.5	-98.5	-97
B5		-98	-97	-99.5	-95
B12		-96.5	-95	-98	-94
B13		-96.5	-94	-98	-94
B14		-96.5	-96	-98.5	-94
B25		-97	-97	-99	-93.5
B26		-98	-97	-99.5	-94.5
B66		-97	-97	-99	-96.5
B71		-97	-97	-99	-94.2

## Antenna Specifications

The antenna should fulfill the requirements listed in the table below.

The optimum operating frequency will depend on the application. An antenna that supports the LTE bands listed in [Table 1-3](#) will work and should have the following characteristics.

**Table 2-10: Antenna Specifications**

<b>Impedance</b>		50Ω
<b>VSWR</b>	<b>Rx max</b>	1.5:1
	<b>Tx max</b>	1.5:1
<b>Typical radiated gain</b>		0dBi in one direction at least

---

*Note: Both mechanical and electrical antenna adaptations are key issues in the design of the terminal.*

*It is strongly recommended to work with an antenna manufacturer to either develop an antenna adapted to the application or to adapt an existing solution to the application.*

---



## >> 3: Using the GL7605 / GL7611

### Getting Started

To set up, follow the procedures shown below.

1. Insert the SIM card into the SIM card socket. (Refer to [Inserting the SIM Card](#) and [Extracting the SIM Card](#) for more details on how to insert and extract the SIM card from the GL7605 / GL7611.)



2. Connect the antenna to the SMA RF connector.



3. Plug the power supply cable into the GL7605 / GL7611 and switch on the external power supply source.



## Inserting the SIM Card

To insert the SIM card, follow the procedires shown below.

1. Prepare the SIM card in the correct position as shown in the figure.



2. Slide the SIM card into the SIM holder.



3. Use a tool to help push the SIM card into the SIM holder. Push the SIM card all the way in until you hear a clicking sound.



## Extracting the SIM Card

To extract the SIM card, follow the procedures shown below.

1. Use a tool to further push the SIM card into the SIM holder. Push until you hear a clicking sound.



2. The SIM card should spring out a little bit after the clicking sound.



3. Extract the SIM card from the GL7605 / GL7611.



## Operational Status

The modem's operational status is defined by an LED, which is located next to the SIM connector. Refer to [Power LED](#) for more information.

## >> 4: Communicating with the GL7605 / GL7611

After setting up the modem, communications can be established by directly sending AT commands to the device using terminal software such as HyperTerminal for MS Windows. The following sub-sections describe how this is done.

### Communications Testing

To perform a communications test after the modem has been setup, do the following:

- Connect the RS232 link between the external application (DTE) and the modem (DCE).
- Configure the RS232 port of the DTE as follows:
  - Bits per second: 9,600bps
  - Data bits: 8
  - Parity: None
  - Stop bits: 1
  - Flow control: hardware
  - Using a communication software such as HyperTerminal, enter:  
AT↵
- When communications have been established, the modem will respond with an “OK”, which is displayed in the HyperTerminal window.

If communications cannot be established with the modem, do the following:

- Check the RS232 connection between the application (DTE) and the modem (DCE).
- Check the configuration of the port COM used on the DTE

### Checking the PIN Code Status

To check if a pin code has been entered, do the following:

- Using a communication software such as HyperTerminal, enter the AT command  
AT+CPIN?
- Refer to the table below for the meaning of the AT command response.

**Table 4-1: AT+CPIN Responses**

AT+CPIN Responses	Description
+CPIN: READY	PIN Code has been entered
+CPIN: SIM PIN	PIN Code has not been entered

For more information about AT commands applicable to the GL7605 / GL7611, please refer to the WP76xx AT Commands Interface Guide.



## Verifying the Receive Strength Signal

The modem establishes a call only if the received signal is sufficiently strong. To verify the received signal strength, do the following:

- Using a communication software such as HyperTerminal, enter the AT command **AT+CSQ**. The response returned has the following format:  
 +CSQ: <rssi>,<ber> with:  
 <rssi> = received signal strength indication  
 <ber> = channel bit error rate
- Verify the <rssi> value returned using the table below.

**Table 4-2: Received Signal Strength Values**

Value of Received Signal Strength Indication (<rssi>)	Interpretation of the Received Signal Strength
0 – 10	Insufficient <sup>a</sup>
11 – 31	Sufficient <sup>a</sup>
32 – 98	Not defined
99	No measure available

a. Based on general observations.

For more information about AT commands applicable to the GL7605 / GL7611, please refer to the WP76xx AT Commands Interface Guide.

## Verifying the Network Registration

To verify the modem's network registration, ensure that a valid SIM card has been inserted into the modem's SIM card holder (when using Embedded SIM, verify that the device has been registered by the network provider) and do the following:

- Using a communication software such as HyperTerminal, enter the following AT commands:  
 AT+CPIN="xxxx" — to enter PIN code xxxx)  
 AT+KSRAT? — to ascertain the radio access technology)  
 AT+CREG? — to ascertain the registration status)  
 AT+CEREG? — to ascertain the EPS network registration status)

The response returned has the following format:

+CREG: <mode>,<stat> where:  
 <mode> = unsolicited registration message configuration  
 <stat> = registration state

- Verify the state of registration according to the returned values given in the table below.

**Table 4-3: Network Registration Values**

Returned Values <mode>,<stat>	Network Registration
+CREG: 0,0	No (not registered)
+CREG: 0,1	Yes (registered, home network)
+CREG: 0,5	Yes (registered, roaming)

For more information about AT commands applicable to the GL7605 / GL7611, please refer to the WP76xx AT Commands Interface Guide.

If the modem is not registered on the network, perform the following procedures:

- Check the connection between the modem and the antenna.
- Verify the signal strength to determine the received signal strength (refer to [Verifying the Receive Strength Signal](#) for more information).

## Main AT Commands for the GL7605 / GL7611

The table below lists the main AT commands required for starting the GL7605/GL7611.

**Table 4-4: Main AT Commands for the GL7605 / GL7611**

Description	AT Commands	Response	Notes
Enter PIN code	AT+CPIN="xxxx" (xxxx = PIN code)	OK	PIN Code is accepted.
		+CME ERROR: 16	Incorrect PIN Code (with +CMEE = 1 mode)*
		+CME ERROR: 3	PIN code has already been entered (with +CMEE = 1 mode)*
Network registration checking	AT+CREG?	+CREG: 0,1	The modem is registered on the network.
		+CREG: 0,2	The modem is not registered on the network, registration is being attempted.
		+CREG: 0,0	The modem is not registered on the network, registration is not being attempted.
Store the parameters in EEPROM	AT&W	OK	The configuration settings are stored in non-volatile memory (EEPROM).

For more information about AT commands applicable to the GL7605 / GL7611, please refer to the WP76xx AT Commands Interface Guide.

## Echo Function

If no echo is displayed when entering an AT command, it could mean either of the following:

- The "local echo" parameter of your communication software such as HyperTerminal, is disabled.
- The modem's echo function is disabled.

To enable the modem's echo function, enter ATE1.

When sending AT commands to the modem through a communication software such as HyperTerminal, it is recommended to:

- Disable the "local echo" parameter of your communication software
- Enable the modem's echo function (ATE1 command)

In a machine-to-machine communication with the modem, it is recommended to disable the modem's echo function (ATE0 command) to avoid useless CPU processing.

For more information about AT commands applicable to the GL7605 / GL7611, please refer to the WP76xx AT Commands Interface Guide.

## >> 5: Troubleshooting

This section of the document describes possible problems that might be encountered when using the modem and their corresponding solutions.

To read about other troubleshooting information, refer to <https://source.sierrawireless.com>

### No Communications through the Serial Link

If the modem does not answer to AT commands through the serial link, refer to the table below for possible causes and their corresponding solutions.

**Table 5-1: Solutions for No Connection through the Serial Link**

If the modem returns	Then ask	Action
Nothing	Is the modem powered correctly?	Make sure that the external power supply is connected to the modem and provides a voltage within the range of 4.75V to 32V.
	Is the serial cable connected at both sides?	Check the serial cable connection.
	Does the serial cable correctly follow the pin assignments as shown in section <a href="#">8-pin Micro-Fit Connector</a> ?	Connect the cable by following the pin assignments as given in section <a href="#">8-pin Micro-Fit Connector</a> .
Nothing or non-significant characters	Is the communication program properly configured on the PC?	Ensure that the settings of the communication program are compatible with the settings of the modem.  The modem's factory settings are: Data bits = 8 Parity = none Stop bits = 1 Baud = 9600 bps Flow control = hardware
	Is there another program interfering with the communication program (i.e. conflict on communication port access)?	Close the interfering program.

## Receiving an “ERROR” Message

The modem returns an "ERROR" message (in reply to an AT command) in the following cases:

- The AT command syntax is incorrect. In this case, check the command syntax applicable to the WP76xx in the WP76XX AT Commands Interface Guide.
- The AT command syntax is correct, but was transmitted using the wrong parameters:
  - Enter the AT+CMEE=1 command to change the error report method to the verbose method, which includes the error codes.
  - Re-enter the AT command which previously caused the reception of an "ERROR" message to get the Mobile Equipment error code.

When the verbose error report method is enabled, the response of the modem in case of error is either:

- +CME ERROR: <error result code>  
or
- +CMS ERROR: <error result code>

For more information on error result code description and further details on the AT+CMEE command that are applicable to the WP76xx, please refer to the commands marked as supported by either the WP76xx in the WP76XX AT Commands Interface Guide.

---

**Tip:** *It is strongly recommended to always enable the verbose error report method to get the Mobile Equipment error code (enter the AT+CMEE=1 command).*

---

## Receiving a “NO CARRIER” Message

If the modem returns a "NO CARRIER" message upon an attempted data call, refer to the table below for possible causes and their corresponding solutions.

**Table 5-2: Solutions for Receiving a “NO CARRIER” Message**

If the modem returns	Then ask	Action
"NO CARRIER"	Is the received signal strong enough?	Refer to <a href="#">Verifying the Receive Strength Signal</a> to verify the strength of the received signal.
	Is the modem registered on the network?	Refer to <a href="#">Verifying the Network Registration</a> to verify the network registration.
	Is the antenna properly connected?	Refer to <a href="#">Antenna Specifications</a> for antenna requirements.
"NO CARRIER" (when trying to issue a data communication)	Is the SIM card configured for data/fax calls?	Configure the SIM card for data/fax calls. (Ask your network provider if necessary).
	Is the selected bearer type supported by the network?	Ensure that the selected bearer type is supported by the network. If still unsuccessful, try to attach to the network using the AT command: <b>AT+CGATT=1</b>

If the modem returns a "NO CARRIER" message, you may retrieve the extended error code by using the AT command AT+CEER. Refer to the table below for the interpretation of extended error codes.

**Table 5-3: Extended Error Codes**

Error Code	Diagnosis	Hint
1	Unallocated phone number	
16	Normal call clearing	
17	User busy	
18	No user responding	
19	User alerting, no answer	
21	Call rejected	
22	Number changed	
31	Normal, unspecified	
50	Requested facility not subscribed	Check your subscription. (Is data subscription available?)
68	ACM equal or greater than ACMmax	The credit of your pre-paid SIM card has expired.
252	Call barring on outgoing calls	
253	Call barring on incoming calls	
3, 6, 8, 29, 34, 38, 41, 42, 43, 44, 47, 49, 57, 58, 63, 65, 69, 70, 79, 254	Network causes	For more information about AT commands applicable to the GL7605 / GL7611, please refer to the commands marked as supported by WP76xx in the WP76XX AT Commands Interface Guide or check with your network provider.

## Resetting the Modem

Resetting the modem could be triggered by the AT command `AT+CFUN=1,1`, or it could be done by simply unplugging and then re-plugging the power supply (DCIN).

## >> 6: Power Consumption

### Consumption Measurement Procedure

This chapter describes the procedure for consumption measurement which is used to obtain the modem's consumption specifications.

The modem consumption specification values are measured for all operating modes available on this product. For more information about the different operating modes, refer to [Operating Modes](#).

Consumption results are highly dependent on the hardware configuration used during measurement and the following chapter describes the hardware configuration settings that should be used to obtain optimum consumption measurements.

### Hardware Configuration

The following hardware configuration includes both the measurement equipment and the modem.

#### Equipment

Three devices are used to perform consumption measurement:

- A communication tester
- A current measuring power supply
- A computer, to control the modem and to save measurement data

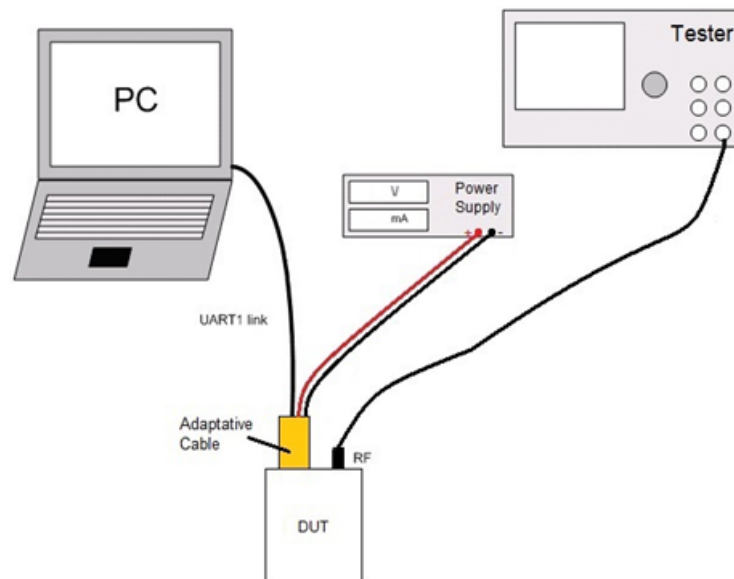


Figure 6-1: Typical Hardware Configuration



The communication tester is a CMW 500 from Rhode & Schwartz. This tester offers all required LTE network configurations and allows a wide range of network configurations to be set.

The 66321D power supply can be used to supply the modem, and it could also be used to measure the total current drain by the device at 4.75V and 12V. The "current measuring power supply" is also connected and controlled by the computer (GPIB control not shown in the previous figure).

---

*Note: A SIM is inserted during all consumption measurements.*

---

The following table lists the recommended equipment to use for the consumption measurement.

**Table 6-1: List of Recommended Equipment**

Device	Manufacturer	Part Number	Notes/Description
Communication Tester	Rhode & Schwartz	CMW500	
Current measuring power supply	Agilent	66321D	Used for DCIN

## SIM Card

The SIM card's voltage is supplied by the modem power supply. The SIM card should allow shut down or polling off. Consumption measurement results may vary depending on the SIM card.

## Software Configuration

This section describes the modem settings and software configuration for the equipment used.

### Modem Configuration

The software configuration is done by selecting the operating mode to use in performing the measurement. Refer to [Operating Modes](#) for more information.

Refer to the following list for the available operating modes on the modem:

- Active Mode
- Communication Mode
- Low Power Mode

### Equipment Configuration

The communication tester is set according to the operating mode.

## Operating Modes

Power consumption levels of the modem also vary depending on the operating mode used.

Refer to the table below for the different kinds of operating modes available.

**Table 6-2: Operating Modes**

Operating Mode	Description
Active Mode	Default mode. No functional restrictions.
Communication Mode	When the modem has a data connection with a live network.

## Serial Port Shutdown Mode

**Table 6-3: Low Power Mode Matrix**

Low Power Mode	AT Command Configuration	Wake Up Source	Application Data
Sleep Mode	+KSLEEP=0,0	<ul style="list-style-type: none"> <li>DTR</li> <li>PSM timer for PSM mode</li> <li>SMS/IP data reception for eDRX mode</li> </ul>	Retained
Lite Hibernate Mode	+KSLEEP=0,1	<ul style="list-style-type: none"> <li>DTR</li> <li>PSM timer for PSM mode</li> <li>SMS/IP data reception for eDRX mode</li> </ul>	Not retained
Hibernate Mode	+KSLEEP=0,2	<ul style="list-style-type: none"> <li>PSM timer for PSM mode</li> <li>SMS/IP data reception for eDRX mode</li> </ul>	Not retained

The modem could be configured to shut down the serial link interface while there is no traffic on the serial link channel by the following AT command:

### Enabling Serial Port Shutdown Mode

```
AT+KGPIOCFG=7,0,2 //set GPIO7 as an output
```

```
AT+KGPIO=7,1 //set GPIO7 output high
```

### Disabling Serial Port Shutdown Mode

```
AT+KGPIOCFG=7,0,2 //set GPIO7 as an output
```

```
AT+KGPIO=7,0 //set GPIO7 output low
```

For more information about AT commands applicable to the GL7605 / GL7611, please refer to the WP76xx AT Command Reference Guide.

The Serial Port Shutdown Mode will be immediately activated within 30 seconds after the AT command set. To wake the modem up from this mode, just simply send AT command to the modem.

## Power Consumption Values

These consumption values were obtained by performing measurements on samples at a temperature of 25°C with the assumption of a 50Ω RF output.

Three DC inputs (DCIN) were used to measure the consumption: VinMIN (4.75V), VinTYP (12V) and VinMAX (32V). Both the average current and maximum current peaks were also measured.

Note that power consumption performance is also software related. .

**Table 6-4: GL7605 Connected Mode Current Consumption (Typical Values)**

Band	Output Power	I <sub>average</sub>		
		Vin = 4.75V	Vin = 12V	Vin = 32V
B1	22 dBm	510	210	90
	0 dBm	240	110	50
B3	22 dBm	510	210	90
	0 dBm	240	100	45
B8	22 dBm	600	270	110
	0 dBm	210	100	45
B11	22 dBm	440	190	85
	0 dBm	180	85	35
B18	22 dBm	520	215	95
	0 dBm	200	90	40
B19	22 dBm	520	215	90
	0 dBm	200	90	45
B21	22 dBm	420	180	75
	0 dBm	180	85	40

**Table 6-5: GL7611 Connected Mode Current Consumption (Typical Values)**

Band	Output Power	I <sub>average</sub>		
		Vin = 4.75V	Vin = 12V	Vin = 32V
B2	22 dBm	520	210	90
	0 dBm	200	90	40
B4	22 dBm	680	260	110
	0 dBm	220	95	45
B5	22 dBm	550	225	95
	0 dBm	200	85	40
B12	22 dBm	560	230	95
	0 dBm	190	85	40
B13	22 dBm	620	250	105
	0 dBm	200	85	40
B14	22 dBm	615	250	105
	0 dBm	210	90	40
B25	22 dBm	510	210	90
	0 dBm	210	90	40
B26	22 dBm	510	210	90
	0 dBm	200	85	40
B66	22 dBm	570	220	95
	0 dBm	210	95	40
B71	22 dBm	500	200	85
	0 dBm	200	90	40

## >> 7: Reliability Specification

### Functional / Performance Tests

Operating Condition: Powered

Test Temperature: Class A and Class B

### Aging Tests

#### High Temperature Operating Life Test

Standard: IEC 60068-2-2, Test B: Dry heat

Test Temperature: 75°C

Operating Condition: 45 minutes Max TX / 15 minutes Idle

Duration: 40 days

#### Humidity Test

Standard: IEC 60068-2-78, Test Cab: Damp heat, steady state

Test Temperature: 65°C

Relative Humidity: 95%

Operating Condition: 15 minutes Idle / 15 minutes Off

Duration: 10 days

#### Thermal Shock Test

Standard: IEC 60068-2-14, Test N: Change of temperature

Test Temperature: -40°C to 85°C

Temperature Transition Time: < 30 seconds

Dwell Time: 10 minutes

Operating Condition: Un-powered

Duration: 300 cycles

## Characterization Tests

### Electrostatic Discharge Test

Standard: IEC 61000-4-2: Testing and measurement techniques - Electrostatic discharge immunity test

Operating Condition: Powered

Air Voltage:  $\pm 2\text{kV}$ ,  $\pm 4\text{kV}$ ,  $\pm 8\text{kV}$

Contact Voltage:  $\pm 2\text{kV}$ ,  $\pm 4\text{kV}$ ,  $\pm 6\text{kV}$

### Low Temperature Cold Start Test

Standard: IEC 60068-2-1, Test A: Cold

Test Temperature:  $-40^{\circ}\text{C}$

Operating Condition: 30 minutes Off / 5 minutes Idle

Duration: 5 days

### Mechanical Shock Test

Standard: IEC 60068-2-27, Test Ea and guidance: Shock

Waveform: Half sine

Peak Acceleration: 30 g

Shock Duration: 6 ms

Number of Shock: 3

Shock Direction:  $\pm X$ ,  $\pm Y$ ,  $\pm Z$

Operating Condition: Un-powered

### Unprotected Free Fall Drop Test

Standard: IEC 60068-2-31, Test Ec: Rough handling shocks, primarily for equipment-type specimens

Number of Drops: 1 drop per direction ( $\pm X$ ,  $\pm Y$ ,  $\pm Z$ ), 6 directions

Surface Type: Un-protected drops onto concrete

Drop Height: 1 meter

Operating Condition: Un-powered

# >> 8: Certification Compliance, Recommended Standards, and Accessories

## Compliance

The GL7605 and GL7611 are compliant with the following requirements.

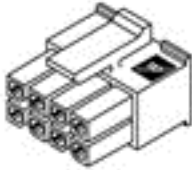
**Table 8-1: Standards Conformity**

Domain	Applicable Standards
Safety standard	EN 60950-1:2006 +A11:2009 +A1:2010 +A12:2011 +A2:2013 AS/NZS 60950.1: 2011
Health standard (EMF Exposure Evaluation)	EN 62311:2008
Efficient use of the radio frequency spectrum	EN 301 908-1 (v11.1.1) EN 301 908-2 (v11.1.2) EN 301 908-13 (v11.1.2) AS/CA S042.1:2018 AS/CA S042.4:2018
EMC	EN 301 489-1 (v2.1.1) Draft EN 301 489-52 (v1.1.0)

## Mating Connector

The recommended mating connector to use with the 8-pin Micro-Fit Connector is described in the table below.

**Table 8-2: Recommended Mating Connector for the Micro-Fit Connector**

Supplier	Description	Vendor Part Number	Sample
Molex	3.0mm Pitch Micro-Fit 3.0™ Receptacle Housing, Dual row, 8 Circuits	430250800	



## Mechanical Constraints

### Micro-Fit Connector

The following table lists the mechanical constraints that must be considered when using the 8-pin Micro-Fit connector.

**Table 8-3: Micro-Fit Connector Mechanical Constraints**

Description	Mechanical Limit	Notes
Connector Mate and Unmate Forces	MINIMUM withdrawal force: 3.7N (0.8lbf)	This is the least amount of force needed to unplug the cable from the 8-pin Micro-Fit connector.
	MAXIMUM insertion force: 8.0N (1.8lbf)	This is the maximum amount of force that should be used when inserting a male connector into the 8-pin Micro-Fit connector. Using force greater than this might damage the Micro-Fit connector.
Terminal Retention Force (in housing)	MINIMUM retention force: 24.5N (5.5lbf)	This is the least amount of force needed to keep the power supply cable connected to the 8-pin Micro-Fit connector.
Terminal Insertion Force (into housing)	MAXIMUM insertion force: 14.7N (3.3lbf)	This is the maximum amount of force that should be used when pushing in the power supply cable into the 8-pin Micro-Fit connector. Using force greater than this might damage the Micro-Fit connector.

## Protections

### Power Supply

Sierra Wireless recommends having a 1000mA/250V slow break fuse bonded to the power supply cable which can protect the modem's internal electronic components from over-current consumption.

### Electrostatic Discharge

The modem withstands ESD according to IEC 1000-4-2 requirements for all accessible parts of the modem except the RF part, which only protects:

- $\pm 8\text{kV}$  of air discharge
- $\pm 4\text{kV}$  of contact discharge

### Miscellaneous

The modem is guaranteed to have filtering for:

- EMI/RFI protection on both the input and the output
- Signal smoothing

## Upgrade Guidelines

### Operating System Upgrade

The modem's operating system is stored in flash memory and can be easily upgraded.

The operating system file can be downloaded into the modem via the RS232.

Listed below are the serial signals required to proceed the firmware upgrading:

- TXD
- RXD
- RTS
- CTS
- GND

The operating system file can also be downloaded onto the modem using the DOTA (download over the air) feature. For more information about AT commands applicable to the GL7605 / GL7611, please refer to the WP76xx AT Command Reference Guide.

### Firmware Upgrade

The firmware upgrade procedure is used to update the firmware embedded in the modem.

This procedure consists of downloading the firmware into internal memories through the RS232 serial link available on the Micro-fit 8-pin connector.



# >> A: Appendix

## List of References

- WP76XX Product Technical Specification  
Reference: 41119652
- WP76xx AT Commands Reference Guide  
Reference: 4118047
- ISO 7816-3 Standard

## List of Abbreviations

Abbreviation	Definition
AC	Alternative Current
ADC	Analog to Digital Converter
A/D	Analog to Digital conversion
AF	Audio-Frequency
AT	Attention (prefix for modem commands)
AUX	Auxiliary
CAN	Controller Area Network
CB	Cell Broadcast
CEP	Circular Error Probable
CLK	Clock
CMOS	Complementary Metal Oxide Semiconductor
CS	Coding Scheme
CTS	Clear To Send
DAC	Digital to Analogue Converter
dB	Decibel
DC	Direct Current
DCD	Data Carrier Detect
DCE	Data Communication Equipment
DCS	Digital Cellular System
DR	Dynamic Range
DSR	Data Set Ready
DTE	Data Terminal Equipment
DTR	Data Terminal Ready
EFR	Enhanced Full Rate
E-GSM	Extended GSM
EMC	Electromagnetic Compatibility
EMI	Electromagnetic Interference
EMS	Enhanced Message Service
EN	Enable
ESD	Electrostatic Discharges

<b>Abbreviation</b>	<b>Definition</b>
FIFO	First In First Out
FR	Full Rate
FTA	Full Type Approval
GND	Ground
GPI	General Purpose Input
GPC	General Purpose Connector
GPIO	General Purpose Input Output
GPO	General Purpose Output
GPRS	General Packet Radio Service
GPS	Global Positioning System
GSM	Global System for Mobile communications
HR	Half Rate
I/O	Input / Output
JTAG	Joint Test Action Group
LED	Light Emitting Diode
LNA	Low Noise Amplifier
LTE	Long-Term Evolution
MAX	Maximum
MIC	Microphone
MIN	Minimum
MMS	Multimedia Message Service
MO	Mobile Originated
MT	Mobile Terminated
na	Not Applicable
NF	Noise Factor
NMEA	National Marine Electronics Association
NOM	Nominal
NTC	Negative Temperature Coefficient
OTA	Over the air
PA	Power Amplifier
Pa	Pascal (for speaker sound pressure measurements)
PBCCH	Packet Broadcast Control Channel

<b>Abbreviation</b>	<b>Definition</b>
PC	Personal Computer
PCB	Printed Circuit Board
PDA	Personal Digital Assistant
PFM	Power Frequency Modulation
PSM	Phase Shift Modulation
PWM	Pulse Width Modulation
RAM	Random Access Memory
RF	Radio Frequency
RFI	Radio Frequency Interference
RHCP	Right Hand Circular Polarization
RI	Ring Indicator
RST	Reset
RTC	Real Time Clock
RTCM	Radio Technical Commission for Maritime services
RTS	Request To Send
RX	Receive
SCL	Serial Clock
SDA	Serial Data
SIM	Subscriber Identification Module
SMS	Short Message Service
SPI	Serial Peripheral Interface
SPL	Sound Pressure Level
SPK	Speaker
SW	Software
PSRAM	Pseudo Static RAM
TBC	To Be Confirmed
TBD	To Be Determined
TDMA	Time Division Multiple Access
TP	Test Point
TVS	Transient Voltage Suppressor
TX	Transmit
TYP	Typical



---

Abbreviation	Definition
UART	Universal Asynchronous Receiver-Transmitter
UMTS	Universal Mobile Telecommunications System
USB	Universal Serial Bus
USSD	Unstructured Supplementary Services Data
VSWR	Voltage Standing Wave Ratio
WCDMA	Wideband Code Division Multiple Access

## Safety Recommendations (for information only)

For the efficient and safe operation of your wireless device, please read the following information carefully.

### RF Safety

#### General

Your wireless terminal is based on the 3GPP standard for cellular technology. The standard is spread all over the world. It covers Europe, Asia and some parts of America and Africa. This is the most used telecommunication standard.

Your wireless terminal is actually a low power radio transmitter and receiver. It sends out and receives radio frequency energy. When you use your wireless application, the cellular system which handles your calls controls both the radio frequency and the power level of your cellular modem.

#### Efficient Terminal Operation

For your wireless terminal to operate at the lowest power level, consistent with satisfactory call quality:

If your terminal has an extendible antenna, extend it fully. Some models allow you to place a call with the antenna retracted. However, your wireless terminal operates more efficiently with the antenna fully extended.

Do not hold the antenna when the terminal is " IN USE ". Holding the antenna affects call quality and may cause the modem to operate at a higher power level than needed.

## Antenna Care and Replacement

Do not use the wireless terminal with a damaged antenna. If a damaged antenna comes into contact with the skin, a minor burn may result. Replace a damaged antenna immediately. Consult your manual to see if you may change the antenna yourself. If so, use only a manufacturer-approved antenna. Otherwise, have your antenna repaired by a qualified technician.

Use only the supplied or approved antenna. Unauthorized antennas, modifications or attachments could damage the terminal and may contravene local RF emission regulations or invalidate type approval.

## General Safety

### Driving

Check the laws and the regulations regarding the use of cellular devices in the area where you have to drive as you always have to comply with them. When using your wireless terminal while driving, please:

- give full attention to driving,
- pull off the road and park before making or answering a call if driving conditions so require.

### Electronic Devices

Most electronic equipment, for example in hospitals and motor vehicles is shielded from RF energy. However, RF energy may affect some improperly shielded electronic equipment.

### Vehicle Electronic Equipment

Check your vehicle manufacturer representative to determine if any on-board electronic equipment is adequately shielded from RF energy.

### Medical Electronic Equipment

Consult the manufacturer of any personal medical devices (such as pacemakers, hearing aids, etc.) to determine if they are adequately shielded from external RF energy.

Turn your terminal OFF in health care facilities when any regulations posted in the area instruct you to do so. Hospitals or health care facilities may be using RF monitoring equipment.

---

## Aircraft

Turn your terminal OFF before boarding any aircraft.

- Use it on the ground only with crew permission
- Do not use it in the air

To prevent possible interference with aircraft systems, Federal Aviation Administration (FAA) regulations require you to have permission from a crew member to use your terminal while the aircraft is on the ground. To prevent interference with cellular systems, local RF regulations prohibit using your modem while airborne.

## Children

Do not allow children to play with your wireless terminal. It is not a toy. Children could hurt themselves or others (by poking themselves or others in the eye with the antenna, for example). Children could damage the modem, or make calls that increase your modem bills.

## Blasting Areas

To avoid interfering with blasting operations, turn your unit OFF when in a « blasting area » or in areas posted: « turn off two-way radio ». Construction crew often use remote control RF devices to set off explosives.

## Potentially Explosive Atmospheres

Turn your terminal OFF when in any area with a potentially explosive atmosphere. It is rare, but your modem or its accessories could generate sparks. Sparks in such areas could cause an explosion or fire resulting in bodily injuries or even death.

Areas with a potentially explosive atmosphere are often, but not always, clearly marked. They include fuelling areas such as petrol stations; below decks on boats; fuel or chemical transfer or storage facilities; and areas where the air contains chemicals or particles, such as grain, dust, or metal powders.

Do not transport or store flammable gas, liquid, or explosives, in the compartment of your vehicle which contains your terminal or accessories.

Before using your terminal in a vehicle powered by liquefied petroleum gas (such as propane or butane) ensure that the vehicle complies with the relevant fire and safety regulations of the country in which the vehicle is to be used.

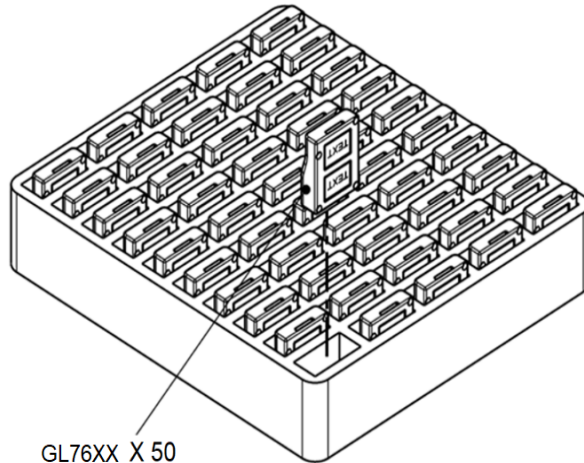
---

**Warning:** *The device should not be in durable use within 20 cm of the human body*

---

## Packaging

The normal delivery package content of the GL7605 / GL7611 consists of 50 pcs per box.



GL76XX X 50  
Figure 1-1: Packaging Contents

## Product Labeling

Two product labels are available at the back of the GL7605 / GL7611.

### Model Label

The Model label provides the following information:

- Product name: GL7605/GL7611
- 4G Modem
- CPN
- CE logo
- RCM logo
- WEEE symbol

### SN and IMEI Label

The SN and IMEI label provides the following information:

- Serial Number barcode, serial number
- IMEI barcode, IMEI number
- Year of manufacture